



»» Features

- New generation of heavy duty PCB automotive relay.
- Design for multiple function applications with THT terminals and smallest mounting space
- Most current relay can be replaced by 1 relay for Relay box / USM / PDM /Smart Junction box, etc.
- Contact rating 30A 14VDC
- High temperature endurance up to 105°C
- Mounting space less than micro ISO relay.
- Comply with RoHS-Directive 2011/65/EU and ELV-Directive 2000/53/EC.

»» Type List

Terminal style	Contact form	Enclosure style	
		Flux tight	Sealed type washable
PCB terminal	1A (SPNO)	905-1AH-C	905-1AH-S
		905-1AC-C	905-1AC-S
	1C (SPDT)	905-1CH-C	905-1CH-S
		905-1CC-C	905-1CC-S

»» Ordering Information

905 - 1A C - S
 1 2 3 4

- | | |
|------------------------------------|-------------------------------|
| 1. 905 -- Basic series designation | 3. C -- Contact material AgNi |
| 2. 1A -- Single pole normally open | H -- Contact material AgSnO |
| 1C -- Single pole double throw | 4. C -- Flux tight |
| | S -- Sealed type washable |

»» Contact Rating

Resistive load	NO: 30A 14VDC, 100K ops. NC: 20A 14VDC, 100K ops.
Motor load	Cooling fan : 230W / 14VDC, 200K ops.
Lamp load	Head lamp : 120W / 14VDC, 200K ops.
Max. carry current	100A/5sec (25°C nominal voltage) 60A/10sec (85°C nominal voltage) 40.5A/30min (85°C nominal voltage)

»» Coil Rating (DC)

Rated voltage (V)	Rated current ±10 % at 23°C (mA)	Coil resistance ±10 % at 23°C (Ω)	Max. continuous voltage at 105°C ⁽¹⁾	Pick up voltage(Max) at 23°C	Drop out voltage(Min) at 23°C	Power consumption at rated voltage
12	60	200	14 V	7.2V	0.6V	approx. 0.72W

Note : (1) Continuous contact current at 25A.



905

»» Specification

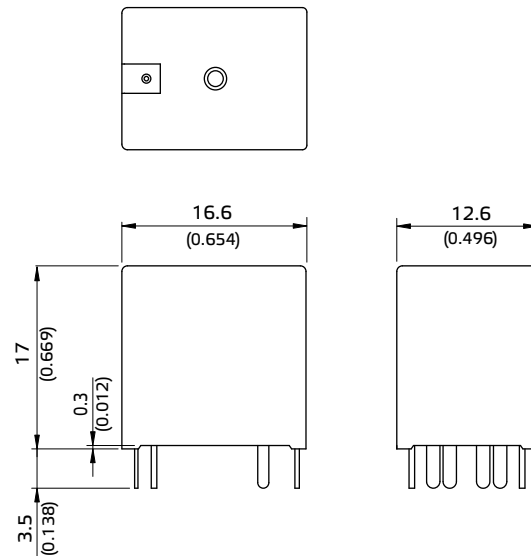
Contact material	AgSnO alloy ⁽²⁾	
Contact voltage drop ⁽¹⁾	Typ. 50mV at 10A	
Operate time ⁽¹⁾	10ms Max.	
Release time ⁽¹⁾	10ms Max.	
Insulation resistance ⁽¹⁾	100MΩ Min. (DC 500V)	
Dielectric strength ⁽¹⁾	Between open contact	: AC 500V, 50/60Hz 1 min.
	Between contact and coil	: AC 500V, 50/60Hz 1 min.
Vibration resistance	Operating extremes	10 ~ 500Hz 4.4G
	Damage limits	10 ~ 500Hz 4.4G
Shock resistance	Operating extremes	10G
	Damage limits	100G
Life expectancy	Mechanical	10,000,000 operations (frequency 18,000 operations/hr)
Temperature range	Storage	-40~+125°C (no freezing)
	Operating	-40~+105°C (no freezing) ⁽³⁾
Weight	Approx. 8.6 g	

Note : (1) Initial value. Operate and release time excluding contact bounce.

(2) Contact material of AgNi is also available, for the details please contact Song Chuan.

(3) Ambient temperature of -40~+125° C is also available, for the details please contact Song Chuan.

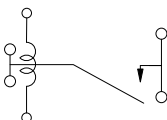
»» Outline Dimensions



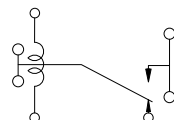
»» Wiring Diagram

BOTTOM VIEW

1A

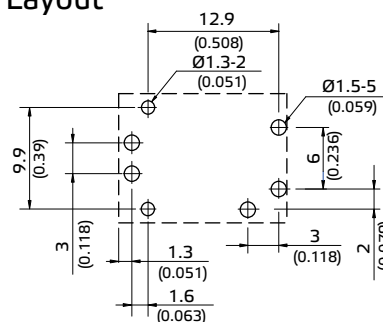


1C



»» PC Board Layout

BOTTOM VIEW



Disclaimer

All technical performance data apply to the relay as such, specific conditions of the individual application are not considered. Please always check the suitability of the relay for your intended purpose. We do not assume any responsibility or liability for not complying herewith. We recommend to complete our questionnaire and to request our technical service. Any responsibility for the application of the product remains with the customer only. All specifications are subject to change without notification. All rights of Song Chuan are reserved.