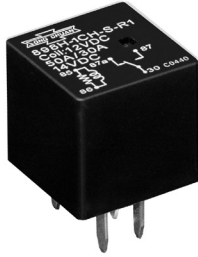




898



»» Features

- ISO 280 footprint design.
- High temperature endurance up to 125°C.
- Optional SPNC, SPNO, SPDT contact configurations.
- Optional to be equipped with protection diode or resistor.
- Available for dust cover type, skirted cover flanged cover, and weather proof versions.
- Comply with RoHS-Directive 2011/65/EU, and ELV-Directive 2000/53/EC.

»» Type List

Terminal style	Contact form	Enclosure style		
		Dust cover	Flux tight	Sealed type washable
Socket terminal	1A (SPNO)	898-1AH-D	898-1AH-C	898-1AH-S
		898H-1AH-D	898H-1AH-C	898H-1AH-S
	1C (SPDT)	898-1CH-D	898-1CH-C	898-1CH-S
		898H-1CH-D	898H-1CH-C	898H-1CH-S

Terminal style	Contact form	Enclosure style	
		Flanged cover (dust cover)	Flanged cover (flux tight)
Socket terminal	1A (SPNO)	898-1AH-D1	898-1AH-C1
		898H-1AH-D1	898H-1AH-C1
	1C (SPDT)	898-1CH-D1	898-1CH-C1
		898H-1CH-D1	898H-1CH-C1

Terminal style	Contact form	Enclosure style	
		Steel bracket (dust cover)	Steel bracket (flux tight)
Socket terminal	1A (SPNO)	898-1AH-D1S	898-1AH-C1S
		898H-1AH-D1S	898H-1AH-C1S
	1C (SPDT)	898-1CH-D1S	898-1CH-C1S
		898H-1CH-D1S	898H-1CH-C1S

Terminal style	Contact form	Designation (provided with)	Enclosure style	
			Steel bracket (dust cover with shroud)	Steel bracket (dust cover with weather proof)
Socket terminal	1C (SPDT)	Resistor	898H-1CH-D1SF-R1	898H-1CH-D1SW-R1

»» Ordering Information

898 H - 1CH - C - R1 001
 1 2 3 4 5 6

- | | |
|--|---|
| <p>1. 898 -- Basic series designation</p> <p>2. Blank -- Standard type
 H -- High power type</p> <p>3. 1AH -- Single pole normally open, contact material AgSnO
 1BH -- Single pole normally closed, contact material AgSnO
 1CH -- Single pole double throw, contact material AgSnO</p> <p>4. D -- Dust cover
 C -- Flux tight
 S -- Sealed type washable
 D1 -- Flanged cover (dust cover)
 C1 -- Flanged cover (flux tight)
 S1 -- Flanged cover (sealed type washable)</p> | <p>D1S -- Steel bracket (dust cover)
 C1S -- Steel bracket (flux tight)
 S1S -- Steel bracket (sealed type washable)
 D1SF -- Steel bracket (Dust cover with shroud)
 D1SW -- Steel bracket (Dust cover with weather proof)</p> <p>5. Blank -- Standard type
 R1 -- Coil parallel with resistor 1/2W for 12V 680Ω, 24V 2700Ω</p> <p>6. Blank -- Standard type
 001 -- Coil parallel with diode IN4007 the positive pole on # 85 terminal
 002 -- Coil parallel with diode IN4007 the negative pole on # 85 terminal</p> |
|--|---|

»» Contact Rating

Resistive load	898 1A	898 1B	898 1C
	40A 14VDC	40A 14VDC	NO : 30A 14VDC NC : 20A 14VDC
		898H 1B	898H 1C
	50A 14VDC 20A 28VDC	40A 14VDC 15A 28VDC	NO: 50A 14VDC, 20A 28VDC NC: 30A 14VDC, 15A 28VDC

»» Coil Rating (DC)

Rated voltage (V)	Rated current ±10 % at 23°C (mA)	Coil resistance ±10 % at 23°C (Ω)	Max. continuous voltage at 85°C ⁽¹⁾	Pick up voltage(Max) at 23°C	Drop out voltage(Min) at 23°C	Power consumption at rated voltage
12	133	90	120 % of rated voltage	65 % of rated voltage	10% of rated voltage	approx. 1.6W
24	66.7	360				

Notes: (1) Without switching the load.



898

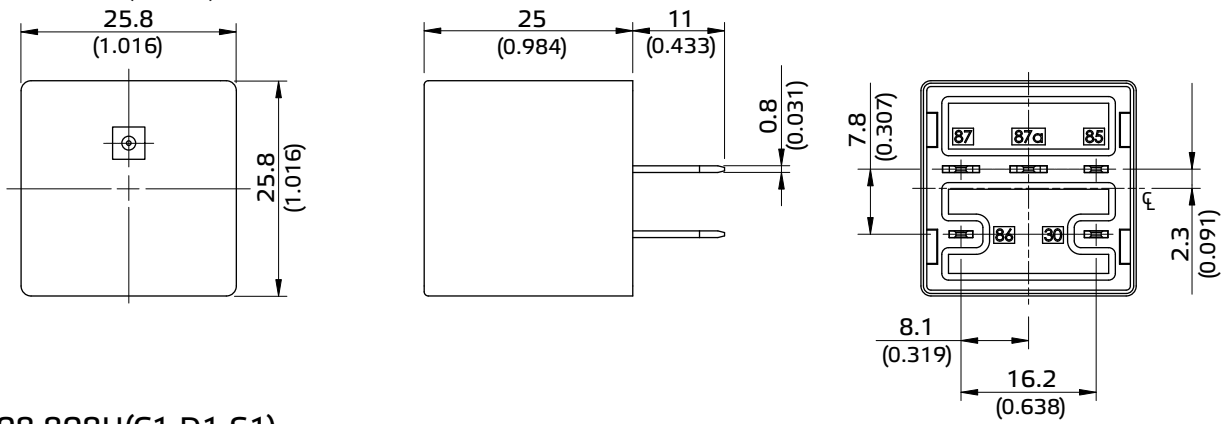
»» Specification

Contact material	AgSnO alloy	
Contact voltage drop ⁽¹⁾	Typ. 50mV at 10A	
Insulation resistance ⁽¹⁾	20MΩ Min. (DC 500V)	
Operate time ⁽¹⁾	20ms Max.	
Release time ⁽¹⁾	20ms Max.	
Dielectric strength ⁽¹⁾	Between open contact	: AC 500V , 50/60Hz 1 min.
	Between contact and coil	: AC 500V , 50/60Hz 1 min.
Vibration resistance	Operating extremes	10~500Hz 5G
	Damage limits	10~500Hz 5G
Shock resistance	Operating extremes	10G
	Damage limits	100G
Life expectancy	Mechanical	10,000,000 operations (frequency 18,000 operations/hr)
	Electrical	100,000 operations (frequency 1,200 operations/hr)
Temperature range	Operating	-40~+125°C (no freezing)
Weight	Approx. 40 g	

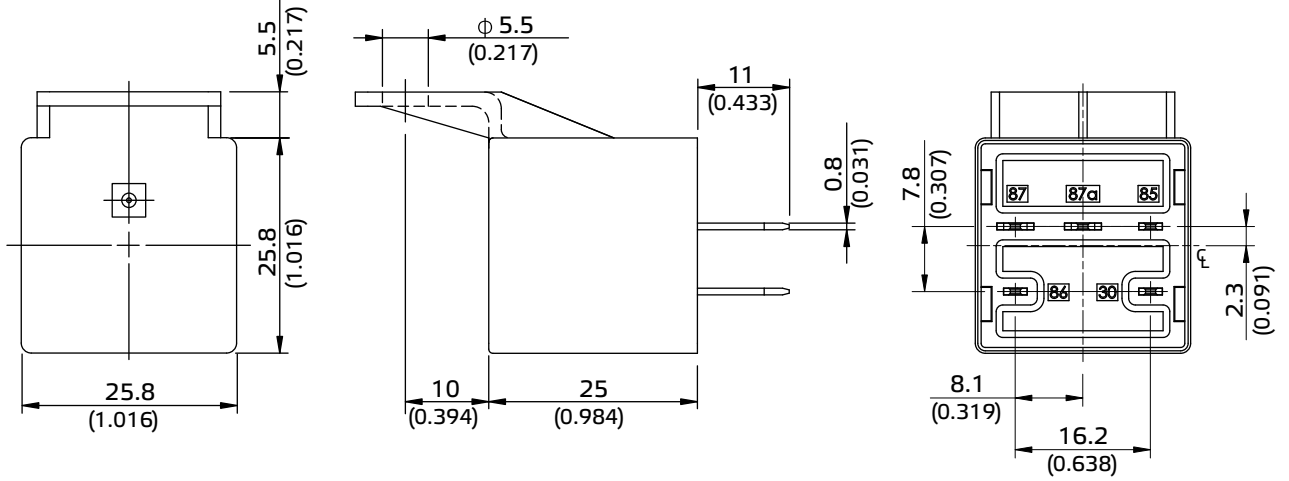
Note : (1) initial value. Operate and release time excluding contact bounce.

»» Outline Dimensions

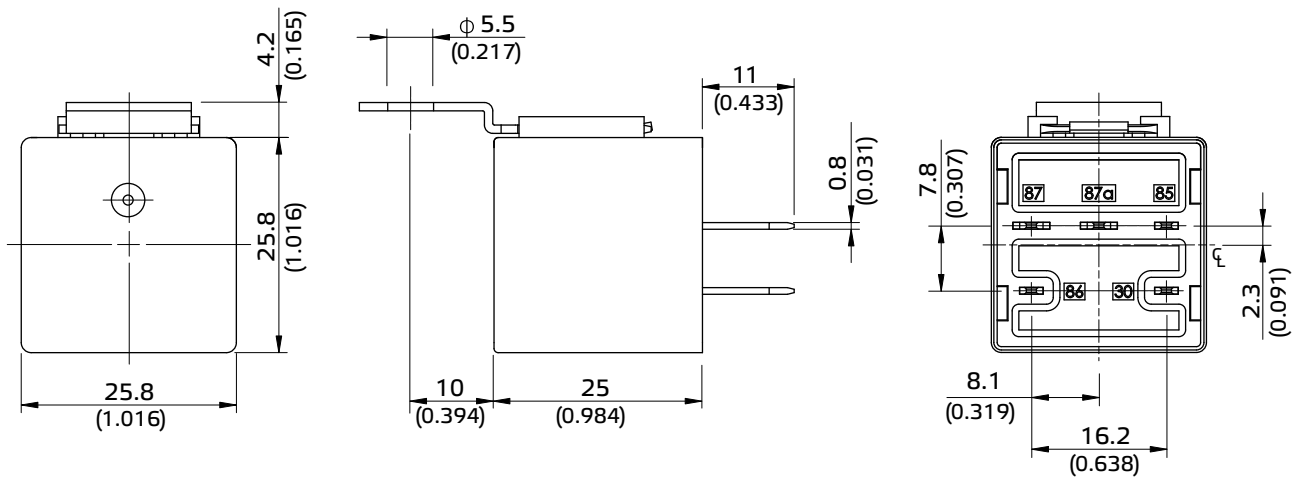
◆ 898,898H(C,D,S)



◆ 898,898H(C1,D1,S1)



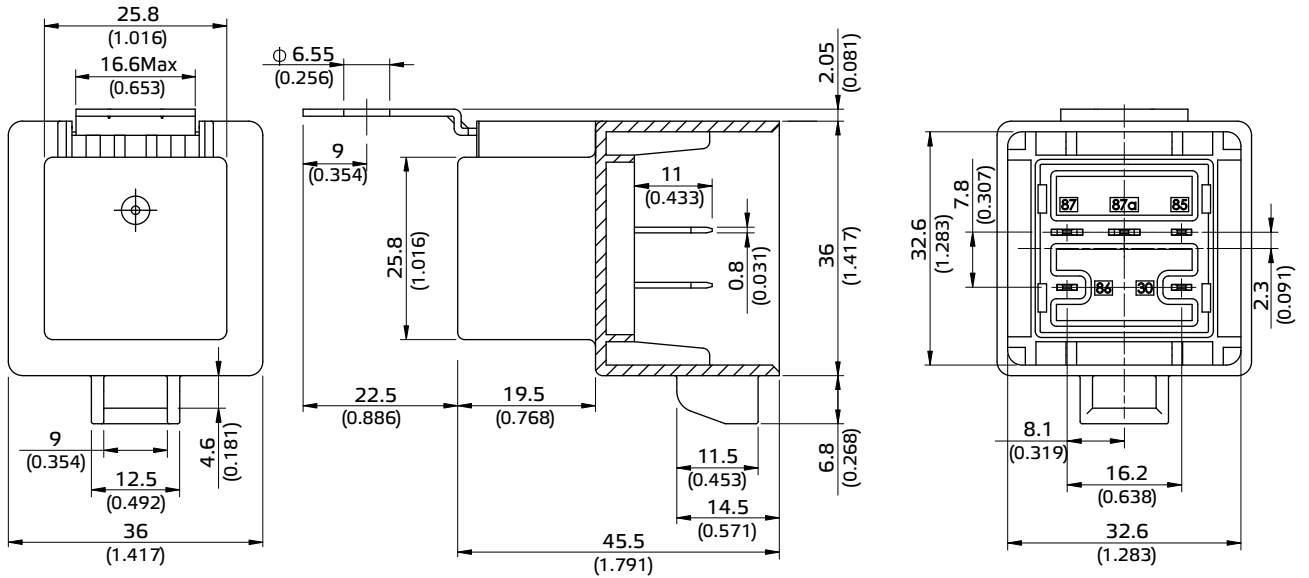
◆ 898,898H(C1S,D1S,S1S)



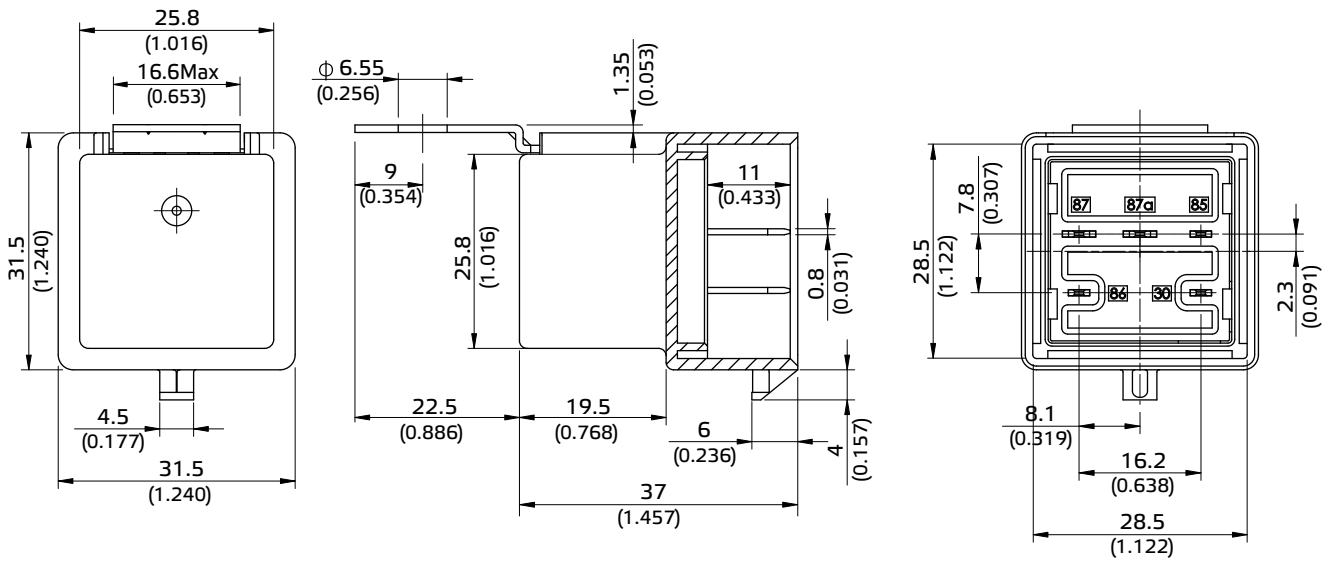


898

◆898H (D1SW)



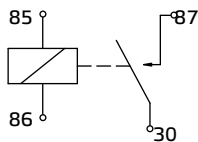
◆898H (D1SF)



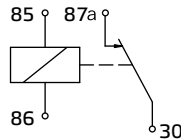
»» Wiring Diagram

BOTTOM VIEW

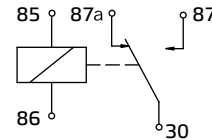
1A



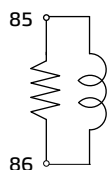
1B



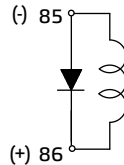
1C



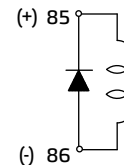
R1



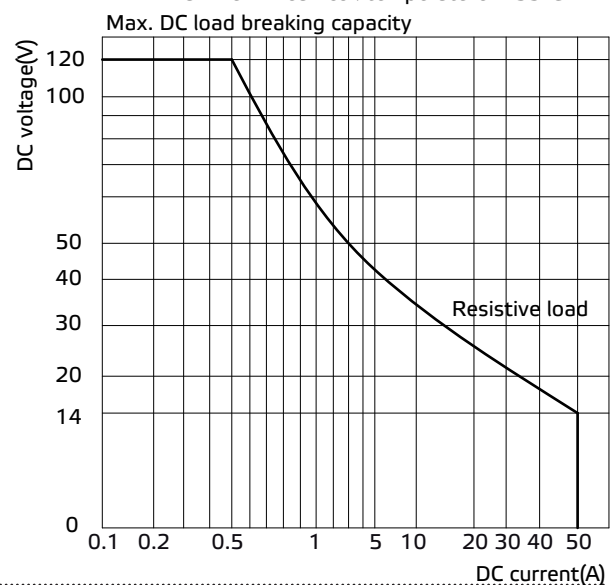
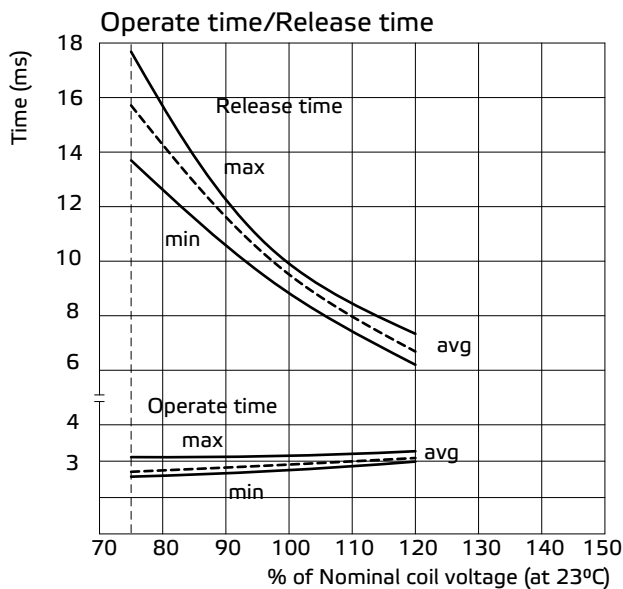
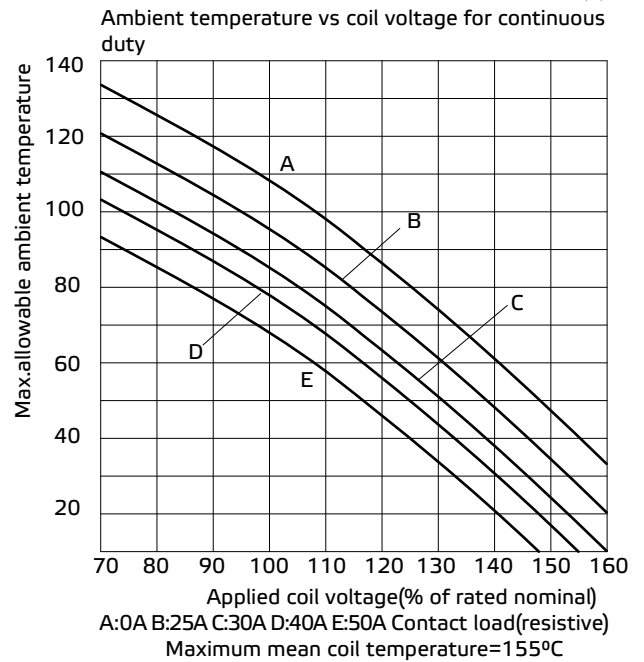
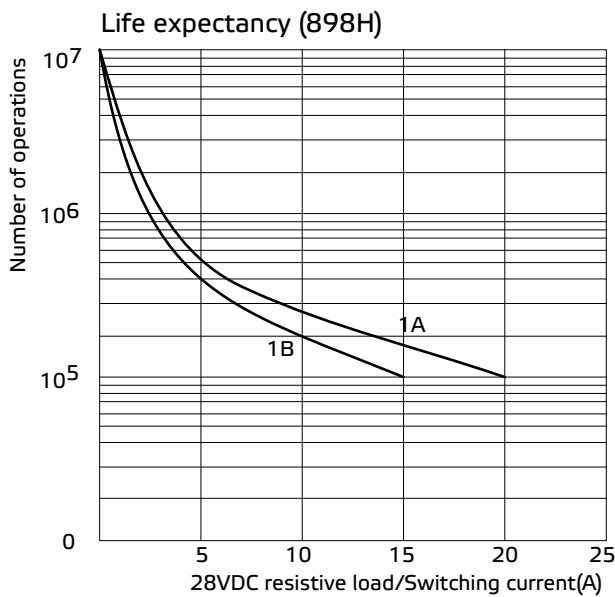
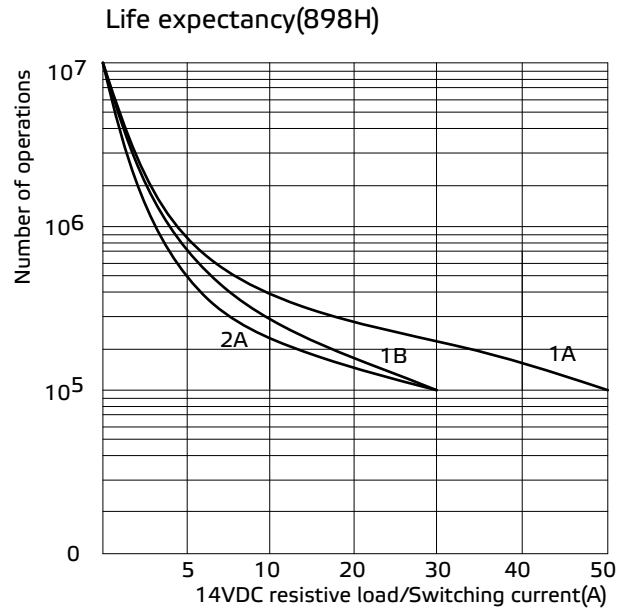
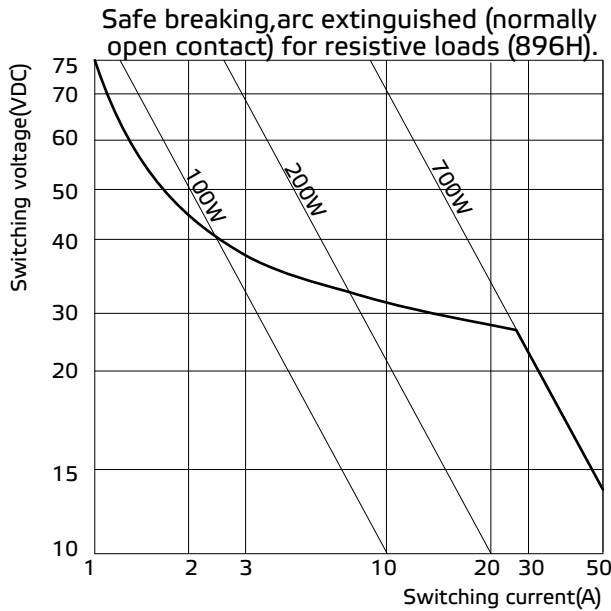
001



002



»» Engineering Data



Disclaimer

All technical performance data apply to the relay as such, specific conditions of the individual application are not considered. Please always check the suitability of the relay for your intended purpose. We do not assume any responsibility or liability for not complying herewith. We recommend to complete our questionnaire and to request our technical service. Any responsibility for the application of the product remains with the customer only. All specifications are subject to change without notification. All rights of Song Chuan are reserved.