



# 832



## »» Features

- Heavy duty 30A general purpose Power Relays.
- UL/CUL (UL 508 & 873), VDE safety approvals.
- Optional for open frame, dust cover, sealed type and with and without quick terminal on top, etc.
- High insulation type & high dielectric strength type available.
- Contact gap to 2.0mm (ideal for PV inverters), high dielectric strength 4000Vrms.
- UL Insulation Class F.
- Ideal for HVAC, UPS& power supply, Home Appliances.
- Comply with RoHS-Directive 2011/65/EU.

## »» Type List

### ◆ 832

Terminal style	Contact form	Insulation system	Designation		
			Open type	Flux tight	Sealed type washable
PCB terminal	1A (SPNO)	-----	832-1A	832-1A-C	832-1A-S
			832-1AC	832-1AC-C	832-1AC-S
	1B (SPNC)	-----	832-1B	832-1B-C	832-1B-S
			832-1BC	832-1BC-C	832-1BC-S
	1C (SPDT)	-----	832-1C	832-1C-C	832-1C-S
			832-1CC	832-1CC-C	832-1CC-S
	1A (SPNO)	F	832-1A-F	832-1A-F-C	832-1A-F-S
			832-1AC-F	832-1AC-F-C	832-1AC-F-S
	1B (SPNC)	F	832-1B-F	832-1B-F-C	832-1B-F-S
			832-1BC-F	832-1BC-F-C	832-1BC-F-S
	1C (SPDT)	F	832-1C-F	832-1C-F-C	832-1C-F-S
			832-1CC-F	832-1CC-F-C	832-1CC-F-S

### ◆ 832A

PCB terminal	1A (SPNO)	-----	832A-1A	832A-1A-C	832A-1A-S
			832A-1AC	832A-1AC-C	832A-1AC-S
	1B (SPNC)	-----	832A-1B	832A-1B-C	832A-1B-S
			832A-1BC	832A-1BC-C	832A-1BC-S
	1C (SPDT)	-----	832A-1C	832A-1C-C	832A-1C-S
			832A-1CC	832A-1CC-C	832A-1CC-S
	1A (SPNO)	F	832A-1A-F	832A-1A-F-C	832A-1A-F-S
			832A-1AC-F	832A-1AC-F-C	832A-1AC-F-S
	1B (SPNC)	F	832A-1B-F	832A-1B-F-C	832A-1B-F-S
			832A-1BC-F	832A-1BC-F-C	832A-1BC-F-S
	1C (SPDT)	F	832A-1C-F	832A-1C-F-C	832A-1C-F-S
			832A-1CC-F	832A-1CC-F-C	832A-1CC-F-S

## ◆ 832AW

Terminal style	Contact form	Insulation system	Designation	
			Flanged cover	Sealed type washable (with flanged cover)
W (Quick terminal)	1A (SPNO)	-----	832AW-1A-C1	832AW-1A-S1
			832AW-1AC-C1	832AW-1AC-S1
	1C (SPDT)	-----	832AW-1C-C1	832AW-1C-S1
			832AW-1CC-C1	832AW-1CC-S1
	1A (SPNO)	F	832AW-1A-F-C1	832AW-1A-F-S1
			832AW-1AC-F-C1	832AW-1AC-F-S1
1C (SPDT)	F	832AW-1C-F-C1	832AW-1C-F-S1	
		832AW-1CC-F-C1	832AW-1CC-F-S1	

## ◆ 832AWP

Terminal style	Contact form	Insulation system	Designation	
			Flux tight	Sealed type washable
WP (PCB terminal & Quick terminal)	1A (SPNO)	-----	832AWP-1A-C	832AWP-1A-S
			832AWP-1AC-C	832AWP-1AC-S
	1C (SPDT)	-----	832AWP-1C-C	832AWP-1C-S
			832AWP-1CC-C	832AWP-1CC-S
	1A (SPNO)	F	832AWP-1A-F-C	832AWP-1A-F-S
			832AWP-1AC-F-C	832AWP-1AC-F-S
1C (SPDT)	F	832AWP-1C-F-C	832AWP-1C-F-S	
		832AWP-1CC-F-C	832AWP-1CC-F-S	

## ◆ 832AWP (Cover with shroud)

Terminal style	Contact form	Insulation system	Designation	
			Flux tight (with shroud)	Sealed type washable (with shroud)
WP (PCB terminal & Quick terminal)	1A (SPNO)	-----	832AWP-1A-CF	832AWP-1A-SF
			832AWP-1AC-CF	832AWP-1AC-SF
	1C (SPDT)	-----	832AWP-1C-CF	832AWP-1C-SF
			832AWP-1CC-CF	832AWP-1CC-SF
	1A (SPNO)	F	832AWP-1A-F-CF	832AWP-1A-F-SF
			832AWP-1AC-F-CF	832AWP-1AC-F-SF
1C (SPDT)	F	832AWP-1C-F-CF	832AWP-1C-F-SF	
		832AWP-1CC-F-CF	832AWP-1CC-F-SF	



# 832

## ◆ 832A enlarge contact gap type

Terminal style	Contact form	Special feature	Designation	
			Flux tight	Sealed type washable
PCB terminal	1A (SPNO)	-----	832A-1A-C-H	832A-1A-S-H
	1A (SPNO)	High dielectric strength type	832A-1A-C-BH	832A-1A-S-BH

## »» Ordering Information

$\frac{832}{1}$     $\frac{A}{2}$     $\frac{WP}{3}$  -  $\frac{1C}{4}$  -  $\frac{F}{5}$  -  $\frac{B}{6}$     $\frac{XXVDC}{7}$

- |   |  |
|---|--|
| <p>1. 832 -- Basic series designation</p> <p>2. Blank -- General type (provided with 2 common terminals)</p> <p>A -- Different type (provided with 1 common terminal)</p> <p>3. Blank -- PCB terminal</p> <p>W -- Quick terminal</p> <p>WP -- PCB terminal &amp; quick terminal</p> <p>4.1A -- Single pole normally open, contact material AgSnO</p> <p>1B -- Single pole normally closed, contact material AgSnO</p> <p>1C -- Single pole double throw, contact material AgSnO</p> <p>1AC -- Single pole normally open, contact material AgNi</p> <p>1BC -- Single pole normally closed, contact material AgNi</p> <p>1CC -- Single pole double throw, contact material AgNi</p> | <p>5. Blank -- Standard type</p> <p>F -- Class F</p> <p>6. Blank -- Open type</p> <p>C -- Flux tight</p> <p>D -- Dust cover</p> <p>S -- Sealed type washable</p> <p>C1 -- With flanged cover</p> <p>S1 -- Sealed type washable with flanged cover</p> <p>CF -- Flux tight with shroud</p> <p>SF -- Sealed type washable with shroud</p> <p>7. Blank -- Standard type</p> <p>B -- With Insulation barrier</p> <p>BH -- With Insulation barrier and 1.9 mm Contact gap (for SPNO type only)</p> <p>H -- 1.9 mm contact gap (for SPNO type only)</p> <p>8. XXVDC -- Coil voltage (please refer to the coil rating data for the availability).</p> |
|---|--|

## »» Contact Rating

### ◆ 832 series

Load type	1A	1B	1C	
			NO	NC
Resistive load	30A 240VAC 20A 30VDC	15A 240VAC	20A 240VAC 20A 30VDC	10A 240VAC 10A 30VDC

### ◆ 832A H/BH

Resistive load	20A 250VAC
----------------	------------

## »» Coil Rating (DC)

### ◆ 832 series

Rated voltage (V)	Rated current ±10 % at 23°C (mA)	Coil resistance ±10 % at 23°C (Ω)	Max. continuous voltage at 85°C	Pick up voltage(Max) at 23°C	Drop out voltage(Min) at 23°C	Power consumption at rated voltage
5	185	27	100 % of rated voltage	75 % of rated voltage	10 % of rated voltage	approx. 0.93W
6	150	40				
9	93	97				
12	77	155				
24	36	660				
48	18	2560				
110	8	13450				

### ◆ 832A H/BH

Rated voltage (V)	Rated current ±10 % at 23°C (mA)	Coil resistance ±10 % at 23°C (Ω)	Max. continuous voltage at 60°C	Pick up voltage(Max) at 23°C	Drop out voltage(Min) at 23°C	Power consumption at rated voltage
6	183	32.7	100 % of rated voltage	80 % of rated voltage	10 % rated voltage	approx. 1.1W
12	92.3	130				
24	46	524				
48	22.9	2094				

## »» Specification

Contact material	AgSnO / AgNi alloy
Contact gap	1.9 mm Min. (for 832A H/BH)
Contact resistance <sup>(1)</sup>	50 mΩ Max.
Operatetime <sup>(1)</sup>	15 ms Max.
	20 ms Max. (for 832A H/BH)
Release time <sup>(1)</sup>	10 ms Max.
	5 ms Max. (for 832A H/BH)
Insulation resistance <sup>(1)</sup>	1000 MΩ Min. (DC 500V)
	100 MΩ Min. (DC 500V) (for 832A H/BH)
Surge voltage withstand	Between contactand coil : 6KV 1.2X50μS (for 832A)



# 832

Dielectric strength <sup>(1)</sup>	Between open contact	: 1500Vrms 50/60Hz 1min.
	Between contact and coil	: 1500Vrms 50/60Hz 1min. : 2500Vrms 50/60Hz 1min(for 832A) High dielectric strength type 4000Vrms 50/60Hz 1 min.
Vibration resistance	Operating extremes	10~55Hz , amplitude 1.5 mm
	Damage limits	10~55Hz , amplitude 1.5 mm
Shock resistance	Operating extremes	10G
	Damage limits	100G
Life expectancy	Mechanical	10,000,000 operations 5,000,000 operations (for 832A H/BH) (frequency 18,000 operations/hr)
	Electrical	100,000 operations (frequency 1,200 operations/hr) 20,000 operations for 20A/250VAC (for 832A H/BH) 100,000 operations for 10A/250VAC (for 832A H/BH) (frequency 900 operations/hr)
Operating ambient temperature	-55~+85°C (no freezing)	
Weight	Approx. 22 g (open type) · 27g (832A) 36 g (832AWP) · 38g (832AW)	

Note: (1) initial value

## »» Safety Approval

Certified	UL / CUL	CSA / CUS	VDE
File No.	E88991	1429333	6615

## »» Safety Approval Rating

### ◆ 832 series (UL / CUL 、 CSA / CUS)

Contact material (AgSnO)		Contact material (AgNi)	
NO	NC	NO	NC
30A 277VAC 20A 30VDC 2HP 250VAC 1HP 125VAC 30 FLA, 80LRA 240VAC 16 FLA, 96LRA 250VAC TV-5	30A 250VAC 15A 277VAC 15A 30VDC 1/2HP, 4.9FLA 250VAC 1/4HP, 5.8FLA 125VAC 12 FLA, 33LRA 250VAC	30A 277VAC 24A 240VAC	30A 277VAC 24A 240VAC

### ◆ 832 series (VDE)

1A	1B	1C
30A 250VAC	20A 250VAC	20A 250VAC

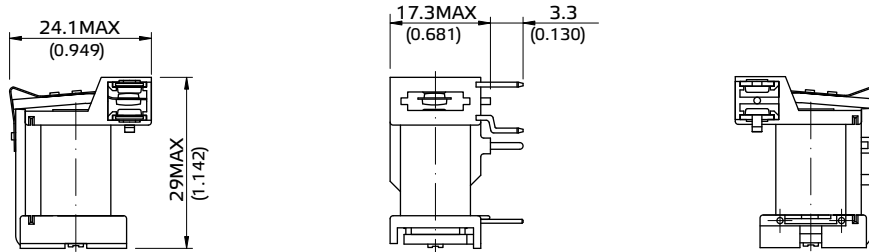
### ◆ 832A H/BH

UL / CUL 、 CSA / CUS	VDE
30A 277VAC 30A 30VDC 1HP, 8FLA 250VAC	20A 250VAC T85

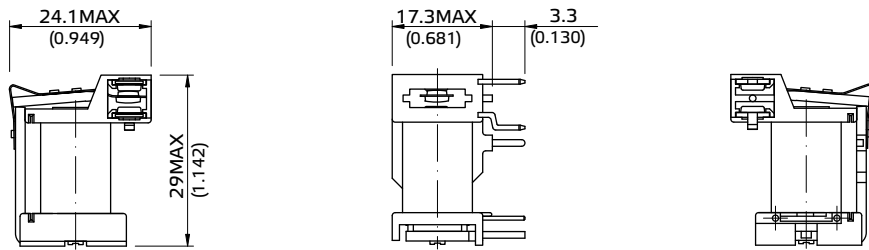
All specifications subject to change. Consult Song Chuan for latest specifications.

## »» Outline Dimensions

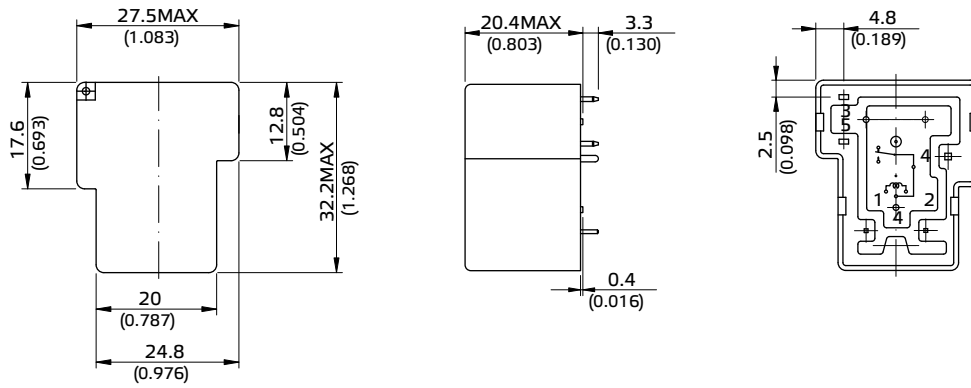
### ◆ 832A(OPEN)



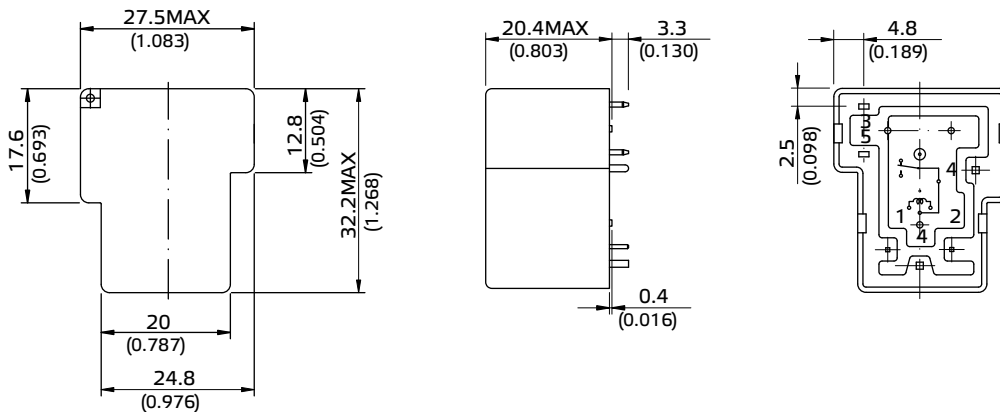
### ◆ 832(OPEN)



### ◆ 832A



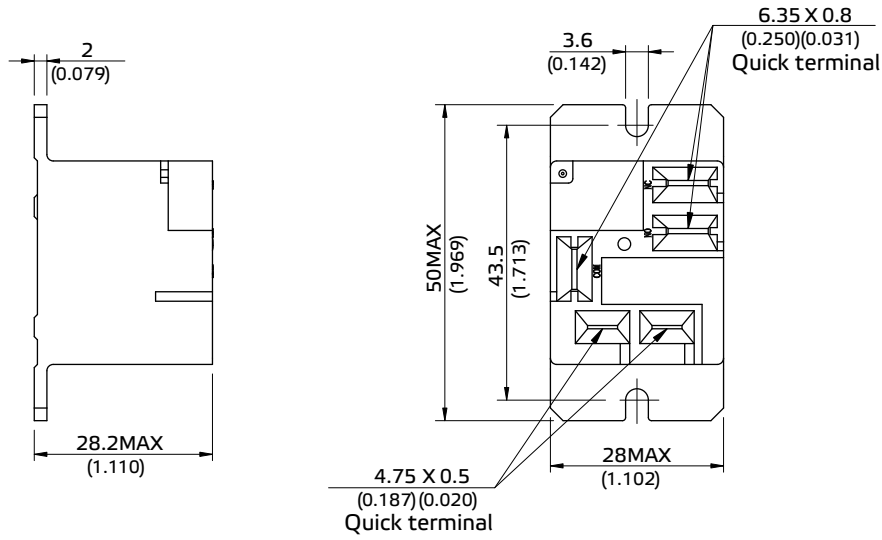
### ◆ 832



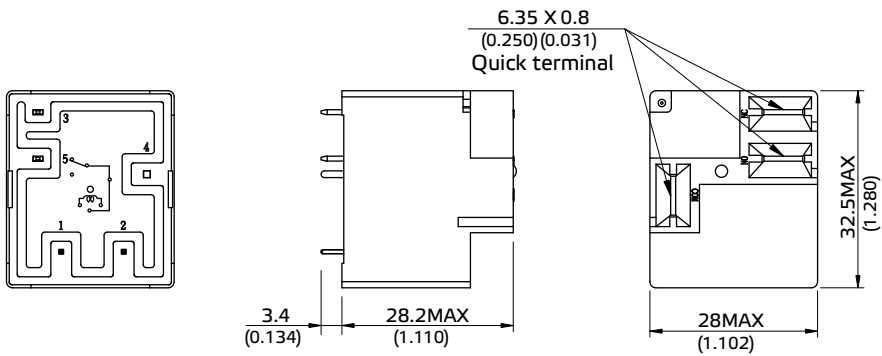


# 832

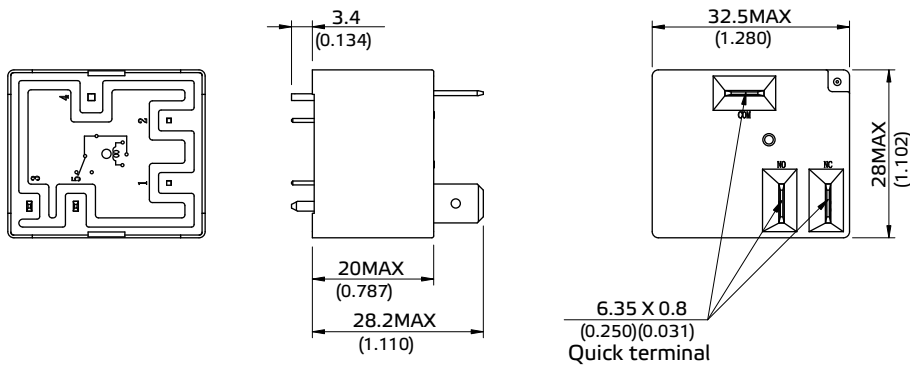
◆832AW



◆832AWP(Cover with shroud)

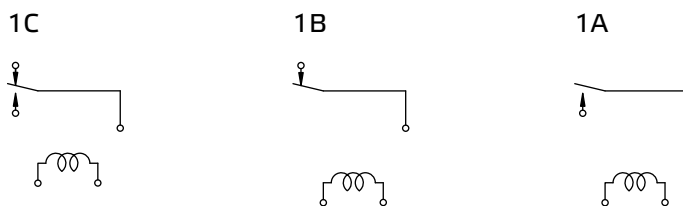


◆832AWP

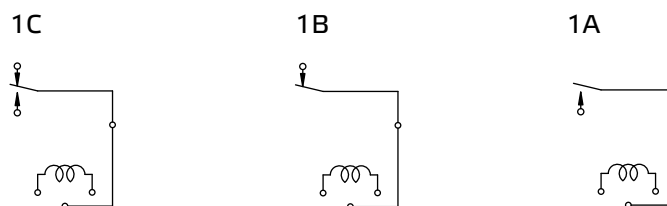


»» Wiring Diagram  
BOTTOM VIEW

◆832A

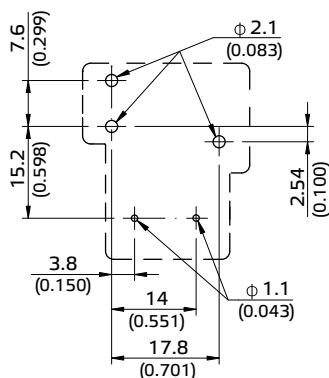


◆832

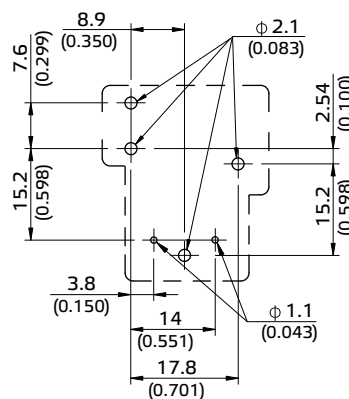


»» PC Board Layout  
BOTTOM VIEW

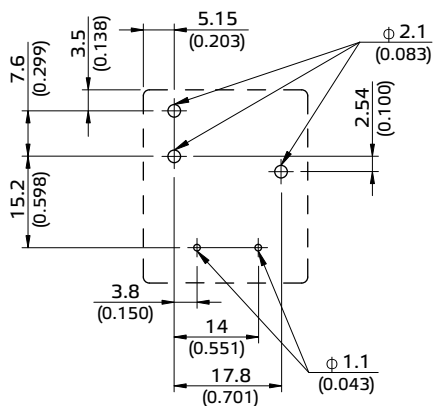
◆832A



◆832



◆832AWP

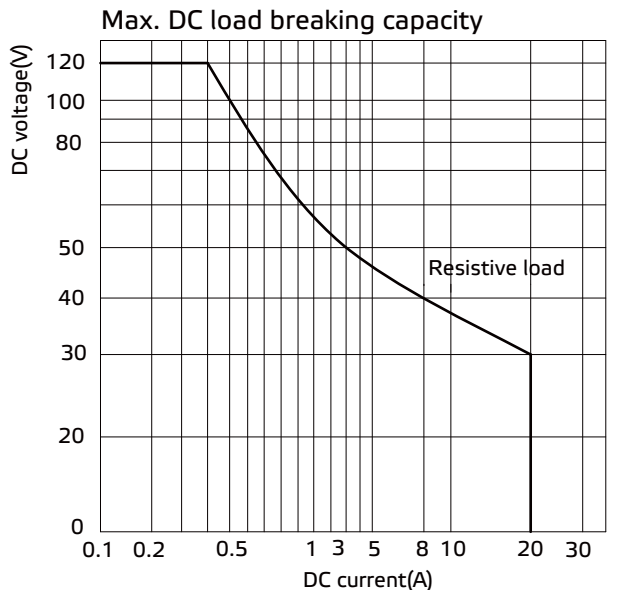
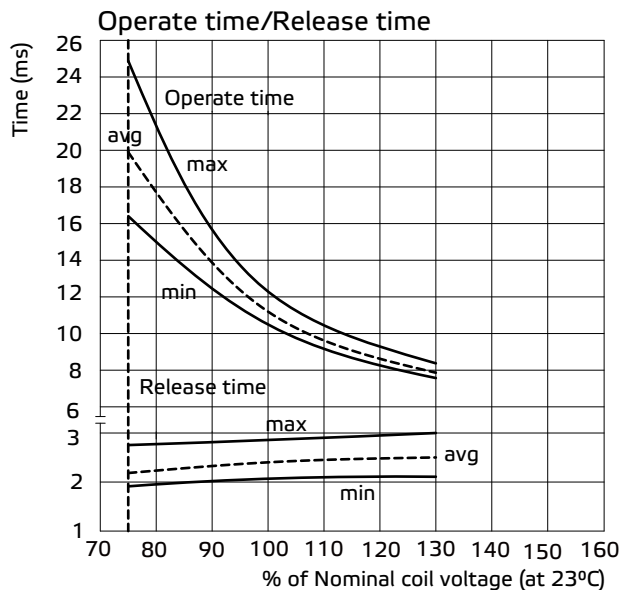
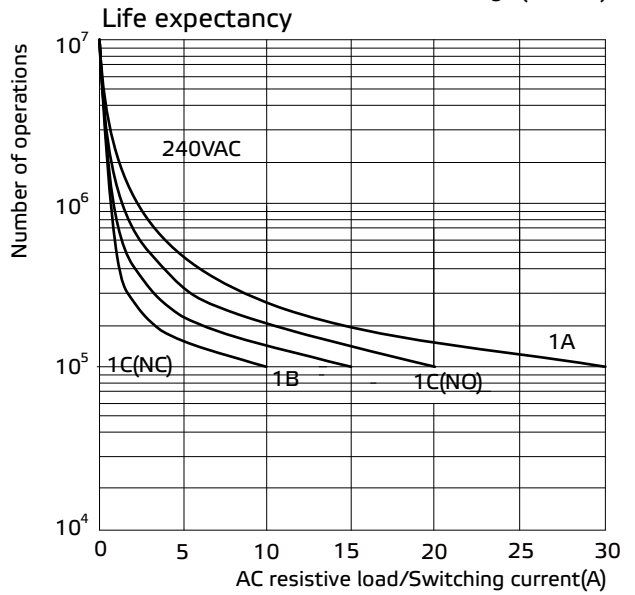
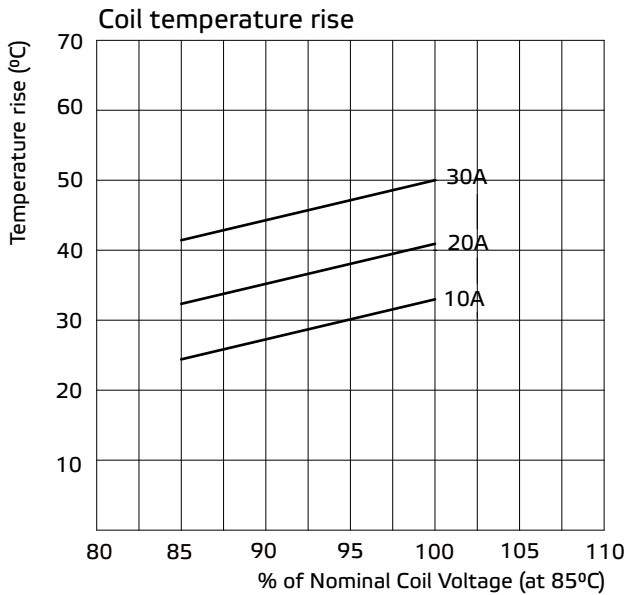
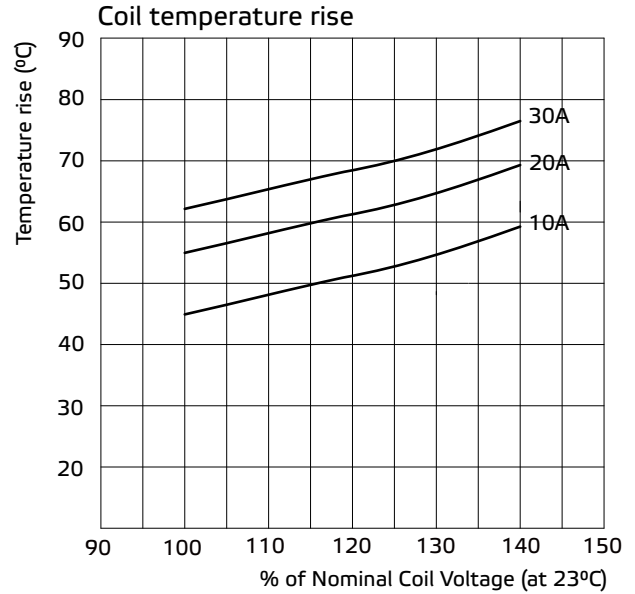
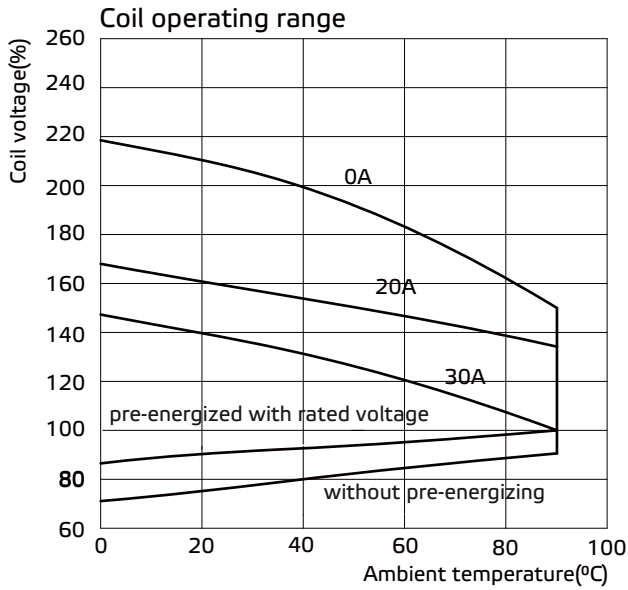






# 832

## »» Engineering Data



### Disclaimer

All technical performance data apply to the relay as such, specific conditions of the individual application are not considered. Please always check the suitability of the relay for your intended purpose. We do not assume any responsibility or liability for not complying herewith. We recommend to complete our questionnaire and to request our technical service. Any responsibility for the application of the product remains with the customer only. All specifications are subject to change without notification. All rights of Song Chuan are reserved.