



### »» Features

- Special design of automotive relays 30A/14VDC for Japanese car model.
- Optional to be equipped with diode or resistor.
- Plain cover or flange cover version both available.
- General purpose for air conditioning control, halogen head lamp control, horn control, fog lamp control, etc.
- Comply with RoHS-Directive 2011/65/EU, and ELV-Directive 2000/53/EC.

### »» Type List

Terminal style	Contact form	Coil parallel with	Designation (provided with)		
			Dust cover	Sealed type	Mounting ears
Socket terminal	1A (SPNO)	Blank	804-1A-C	804-1A-S	804-1A-C1
		Resistor	804-1A-C-R1	804-1A-S-R1	804-1A-C1-R1
		Resistor	804-1A-C-R2	804-1A-S-R2	804-1A-C1-R2

### »» Ordering Information

804 - 1A - C - R1  
 1        2        3        4

- |   |  |
|---|--|
| <ol style="list-style-type: none"> <li>1. 804 -- Basic series designation</li> <li>2. 1A -- Single pole normally open</li> <li>3. C -- Dust cover<br/>                     C1 -- Mounting ears on cover<br/>                     S -- Sealed type washable</li> </ol> | <ol style="list-style-type: none"> <li>4. Blank -- Standard type<br/>                     R1 -- Coil parallel with 1/2W resistor for 12V 680Ω , 24V 2700Ω<br/>                     R2 -- Coil parallel with 1/2W resistor for 12V 820Ω , 24V 3200Ω<br/>                     D1 -- Coil parallel with diode IN4007</li> </ol> |
|---|--|

### »» Contact Rating

Resistive load	30A 12VDC ; 15A 24VDC
----------------	-----------------------

### »» Coil Rating (DC)

Rated voltage (V)	Rated current ±10 % at 23°C (mA)	Coil resistance ±10 % at 23°C (Ω)	Max. continuous voltage at 85°C <sup>(1)</sup>	Pick up voltage(Max) at 23°C	Drop out voltage(Min) at 23°C	Power consumption at rated voltage
12	120	100	120 % of rated voltage	65 % of rated voltage	10 % of rated voltage	approx. 1.4W
24	60	400		70 % of rated voltage		

Note:(1)Continuous contact current at 10A.



# 804

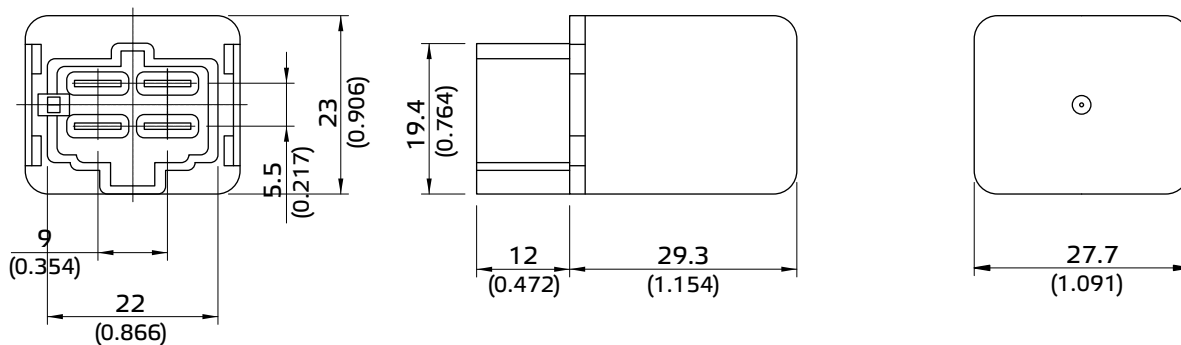
## »» Specification

Contact material	AgSnO alloy	
Contact voltage drop <sup>(1)</sup>	Typ. 50mV at 10A	
Operate time <sup>(1)</sup>	10ms Max.	
Release time <sup>(1)</sup>	10ms Max.	
Insulation resistance <sup>(1)</sup>	50MΩ Min. (DC 500V)	
Dielectric strength <sup>(1)</sup>	Between open contact : AC 500V , 50/60Hz 1 min.	
	Between contact and coil : AC 500V , 50/60Hz 1 min.	
Vibration resistance	Operating extremes	10~500Hz 5G
	Damage limits	10~500Hz 5G
Shock resistance	Operating extremes	10G
	Damage limits	100G
Life expectancy	Mechanical	5,000,000 operations Min. (frequency 18,000 operations/hr)
	Electrical	100,000 operations Min. (frequency 1,200 operations/hr)
Operating temperature	-30 ~ +85° C (no freezing)	
Weight	Approx. 35 g	

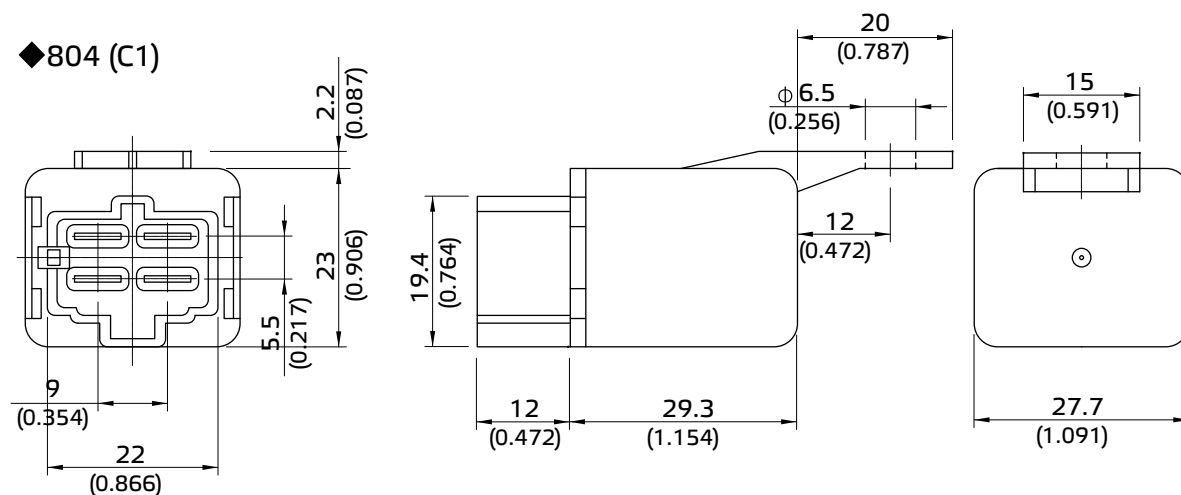
Note:(1)Initial value. Operate and release time excluding contact bounce.

### »» Outline Dimensions

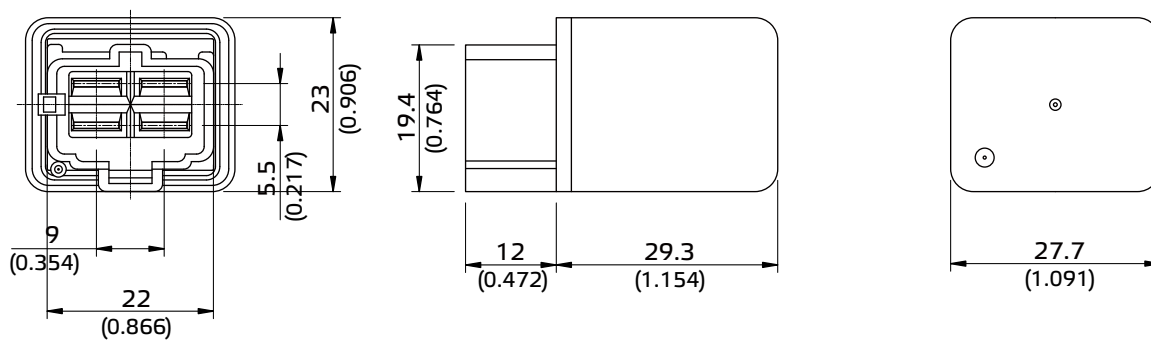
#### ◆ 804 (C)



#### ◆ 804 (C1)



#### ◆ 804 (S)



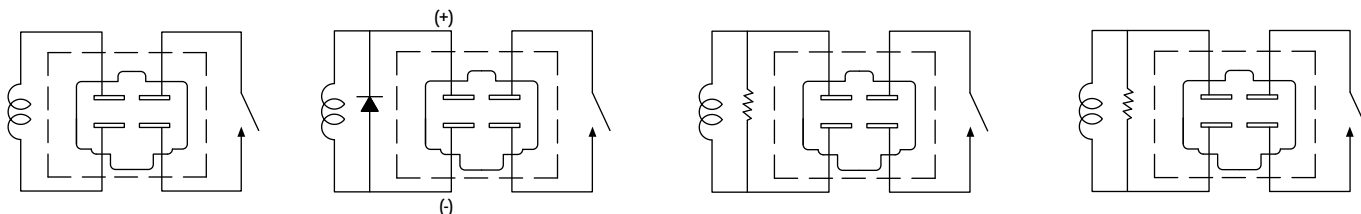
### »» Wiring Diagram

BOTTOM VIEW

D1

R1

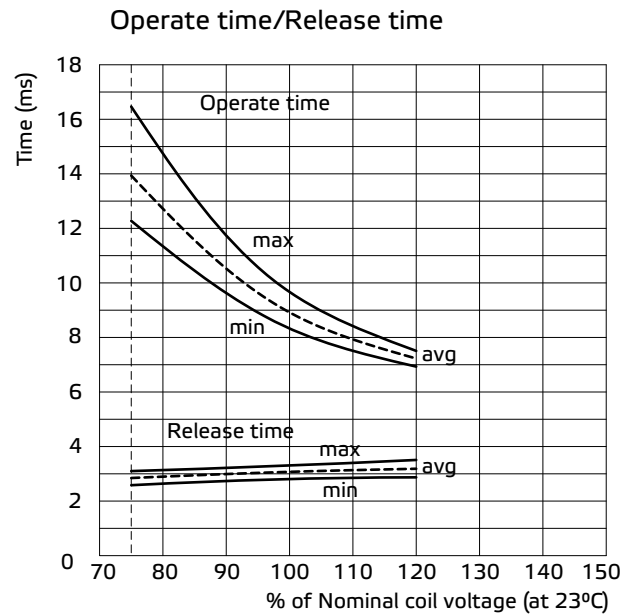
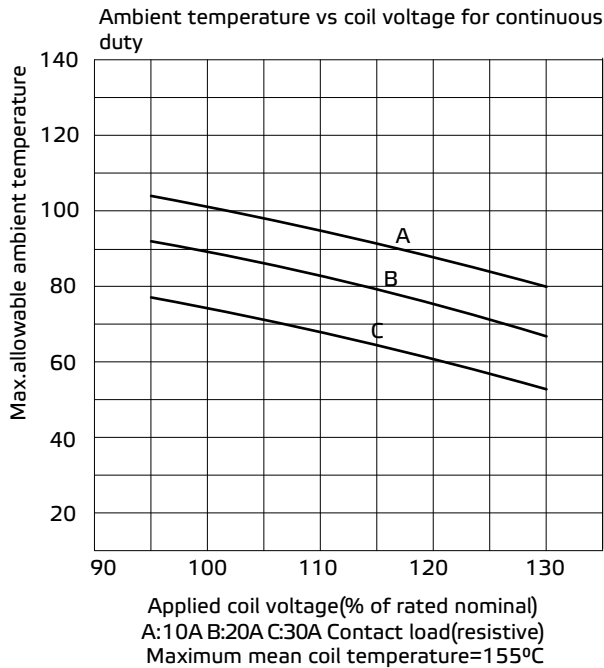
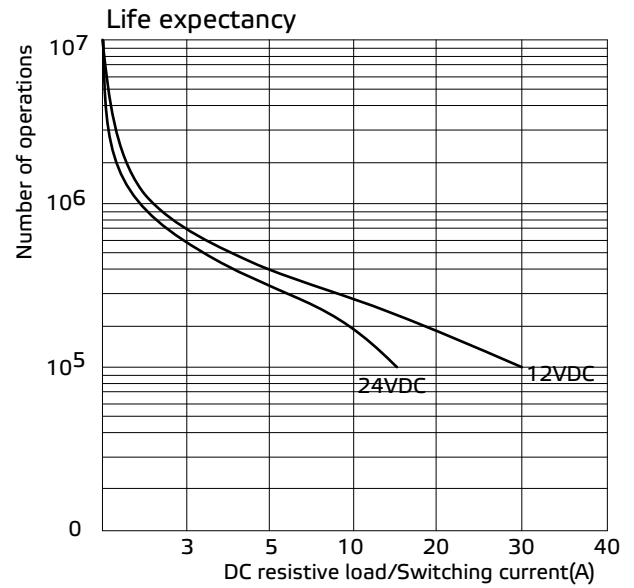
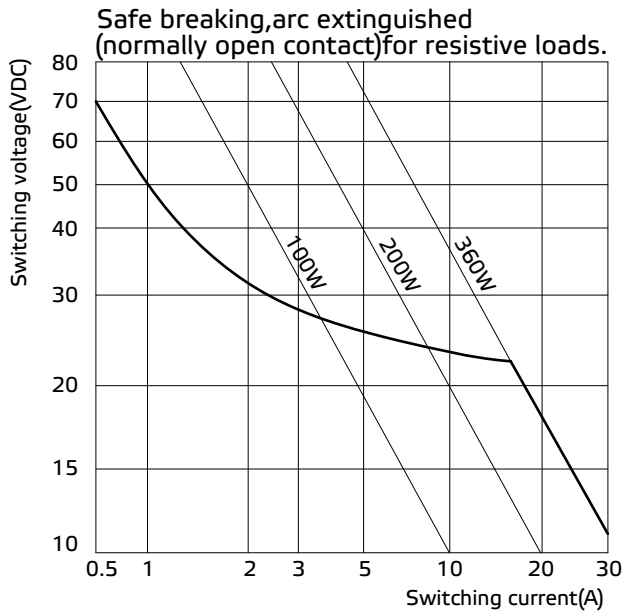
R2





# 804

## »» Engineering Data



**Disclaimer**

All technical performance data apply to the relay as such, specific conditions of the individual application are not considered. Please always check the suitability of the relay for your intended purpose. We do not assume any responsibility or liability for not complying herewith. We recommend to complete our questionnaire and to request our technical service. Any responsibility for the application of the product remains with the customer only. All specifications are subject to change without notification. All rights of Song Chuan are reserved .