



### »» Features

- Low profile Micro ISO Automotive relay.
- Optional to be equipped with diode or resistor.
- High Rating up to 25A
- High temperature withstand up to 105°C
- Both available PCB terminal and quick connect terminal
- Comply with RoHS-Directive 2011/65/EU, and ELV-Directive 2000/53/EC.
- Sockets on request

### »» Type List

Terminal style	Contact form	Designation (provided with)	Enclosure style	
			Dust Cover	Flux tight
Micro ISO Footprint	1A (SPNO)	-----	108-1AH-D	108-1AH-C
		Resistor	108-1AH-D-R1	108-1AH-C-R1
		Diode	108-1AH-D-D1	108-1AH-C-D1

### »» Ordering Information

108 - 1A H - D - R1  
 1        2    3        4        5

- |   |  |
|---|--|
| <p>1. 108 -- Basic series designation</p> <p>2. 1A -- Single pole normally open</p> <p>3. H -- Contact material AgSnO</p> <p>4. D -- Dust cover<br/>C -- Flux tight</p> | <p>5. Blank -- Standard type</p> <p>R1 -- Coil parallel with 1/2W resistor for 12V 1.1KΩ</p> <p>D1 -- Coil parallel with diode 1N4007 the positive pole on #1 terminal</p> |
|---|--|

### »» Contact Rating

Resistive	NO : 25A 14VDC, 100K ops.
-----------	---------------------------

### »» Coil Rating (DC)

Rated voltage (V)	Rated current ±10 % at 23°C (mA)	Coil resistance ±10 % at 23°C (Ω)	Max. continuous voltage at 80°C <sup>(1)</sup>	Pick up voltage(Max) at 23°C	Drop out voltage(Min) at 23°C	Power consumption at rated voltage
12	66	180	16V	8.0	0.6V	approx. 0.8W

Note : (1) With 20A contact current

### »» Specification

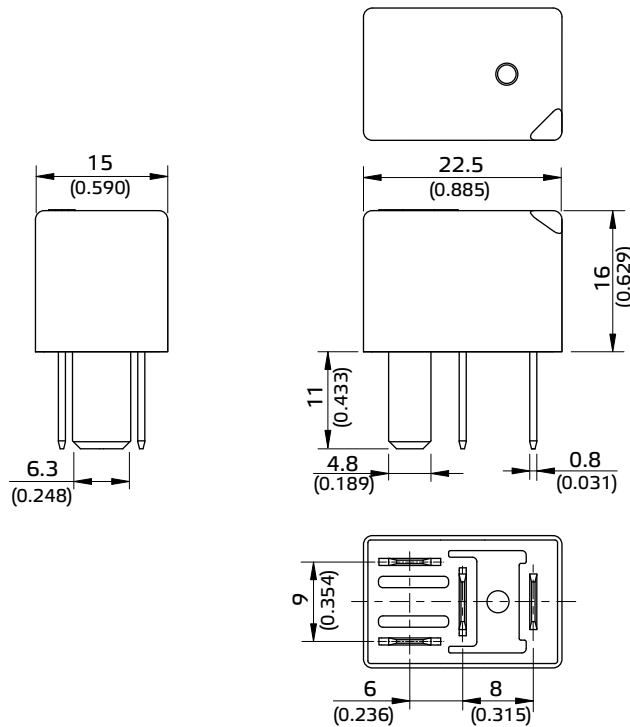
	AgSnO alloy
Contact voltage drop <sup>(1)</sup>	Typ. 50mV at 10A
Operate time <sup>(1)</sup>	10 ms MAX
Release time <sup>(1)</sup>	10 ms MAX
Insulation resistance <sup>(1)</sup>	20 MΩ Min. (DC 500V)



Dielectric strength <sup>(1)</sup>	Between open contact	: AC 500V, 50/60Hz 1 min.
	Between contact and coil	: AC 500V, 50/60Hz 1 min.
Vibration resistance	Operating extremes	10~500Hz , 5.0G
	Damage limit	10~500Hz , 5.0G
Shock resistance	Operating extremes	10G
	Damage limits	100G
Life expectancy	Mechanical	1,000,000 operations (frequency 18,000 operations/hr)
Temperature range	Operating	-40 ~ +105°C (no freezing)
Weight	Approx. 15 g	

Note : (1) initial value. Operate and release time excluding contact bounce.

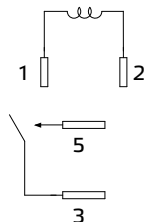
### »» Outline Dimensions



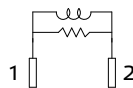
### »» Wiring Diagram

BOTTOM VIEW

1A

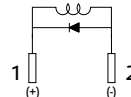


R1



PROVIDED WITH RESISTOR

D1



PROVIDED WITH DIODE

#### Disclaimer

All technical performance data apply to the relay as such, specific conditions of the individual application are not considered. Please always check the suitability of the relay for your intended purpose. We do not assume any responsibility or liability for not complying herewith. We recommend to complete our questionnaire and to request our technical service. Any responsibility for the application of the product remains with the customer only. All specifications are subject to change without notification. All rights of Song Chuan are reserved .