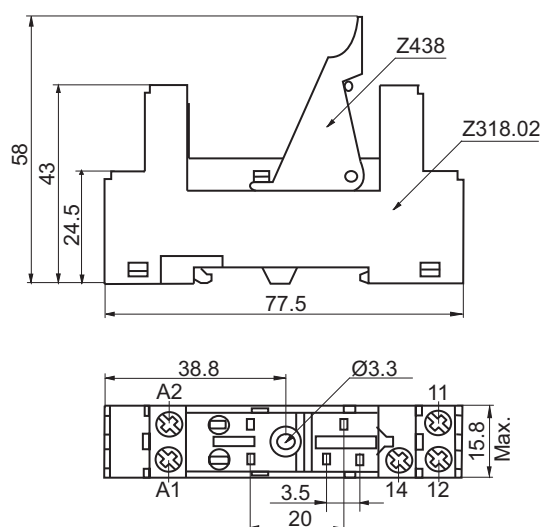


DIN-rail socket and accessories For PCB relay - 1 and 2 poles, 3.5 and 5.0 mm

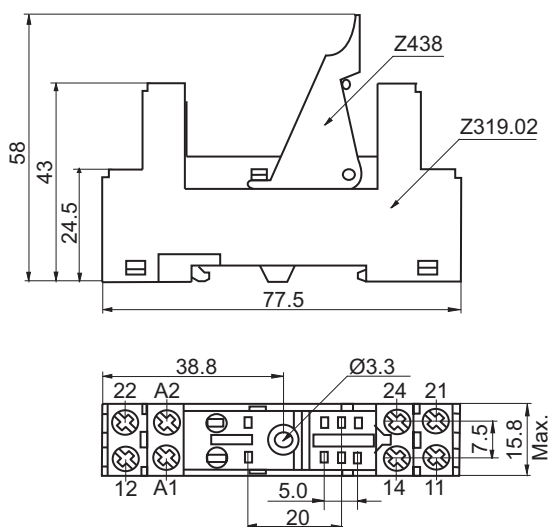
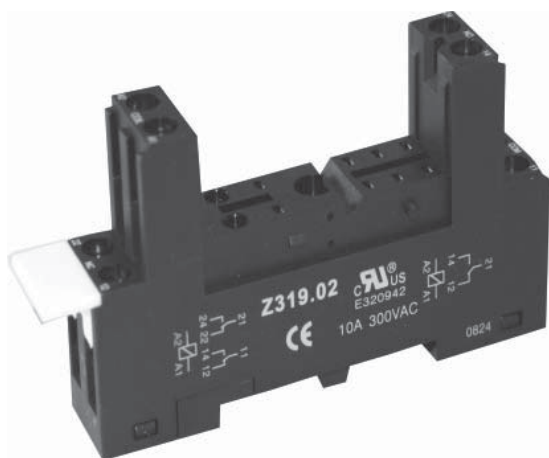
»» Features

- Protection group C250 (VDE 0110b/2)
- Sockets for 35mm DIN rail mount or screw mounting
- Rising clamp terminals with screws
- Accessories: modules, retaining clip, writing plates
- Sockets and accessories comply with RoHS-Directive 2002/95/EC

Z318.02 socket for 1pole 888, 3.5mm with screw connection, logical, C250



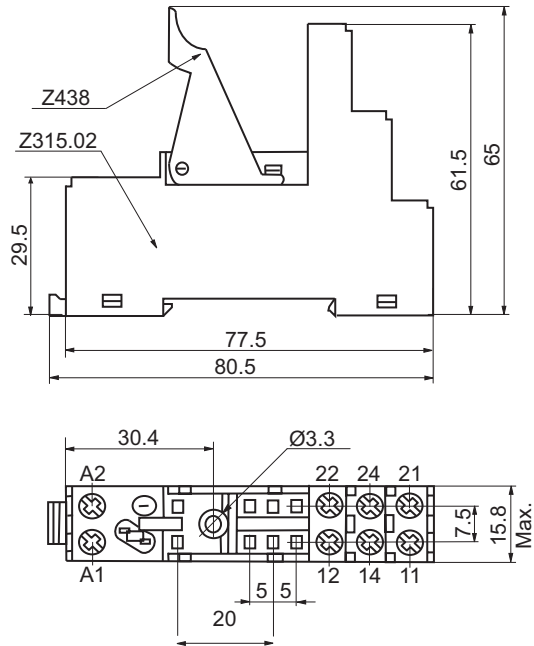
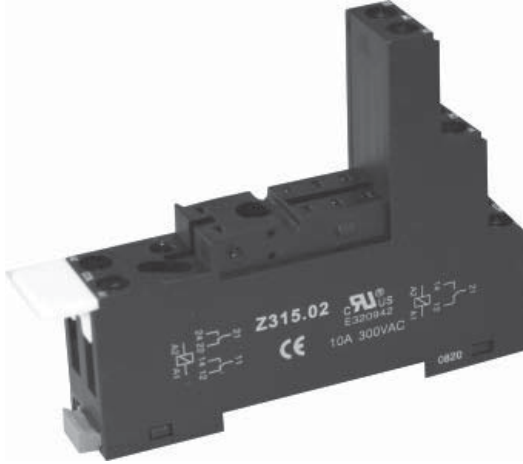
Z319.02 socket for 1 & 2 pole 888, 5mm with screw connection, C250



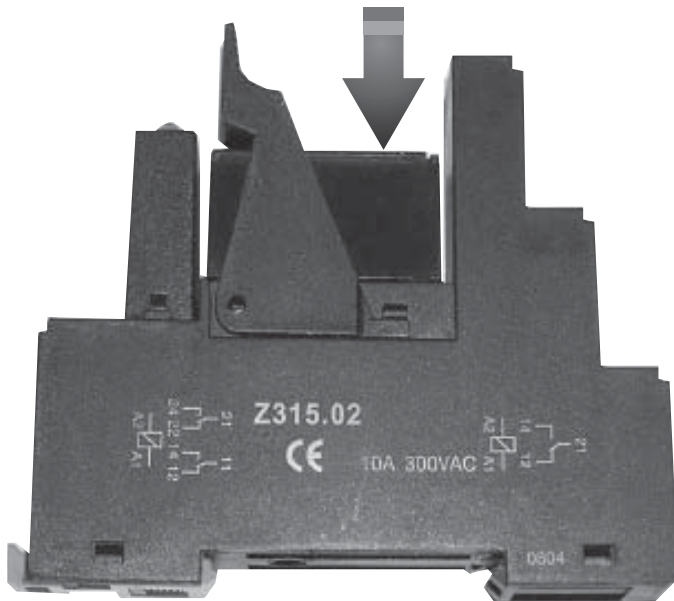


888

Z315.02 socket for 1pole 888, 3.5mm with screw connection, logical, C250



To remove easily the relay,
please press here while you
push back the retaining clip



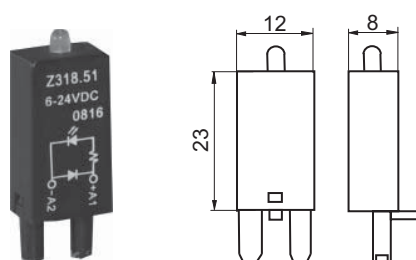
Technical data

Electrical / mechanical Data	Z318.02	Z319.02	Z315.02
Rated current	12A	10A*	10A*
Rated voltage	300VAC	300VAC	300VAC
Dielectric strength coil to contact circuits	4000VAC	4000VAC	4000VAC
Dielectric strength open contact circuit	1000VAC	1000VAC	1000VAC
Dielectric strength adjacent contact circuits	-	2500VAC	2500VAC
Ambient temperature	-40 .. +70 °C		
Terminal protection degree acc. EN60529	IP20		
Terminal capacity	2 x 2.5 mm ²		
Terminal capacity with cable end	2 x 1.5 mm ²		
Maximum torque	0.7Nm		
Screw type	Combination of slotted and Phillips head screw - M3		
Packaging unit sockets	20 pcs.		
Packaging unit modules	20 pcs.		
Packaging unit retaining clips	20 pcs.		
Approvals	CUL		

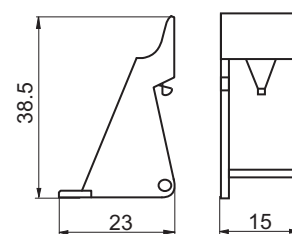
(*) for 1 pole relay 17A, the relay terminals 11-21, 12-22 and 14-24 have to be bridged.

Standard part numbers

DIN rail socket 3.5 mm logical	Z318.02
DIN rail socket 5.0 mm	Z319.02
DIN rail socket 5.0 mm logical	Z315.02
Platic retaining clip	Z438
Writing plate - supplied with socket	SR2P
Protection diode (+ A1)	Z318.53
Protection diode (+ A2)	Z318.50
Green LED + protection diode 6/24VDC (+A1)	Z318.51
Red LED + protection diode 6/24VDC (+A1)	Z318.51R
Green LED 6..24V AC/DC (+ A1)	Z318.52
Red LED 6..24V AC/DC (+A1)	Z318.52R
Green LED + protection diode 6/24VDC (+A2)	Z318.57
Red LED + protection diode 6/24VDC (+A2)	Z318.57R
Green LED 110..230V AC/DC (+ A1)	Z318.58
Red LED 110..230V AC/DC (+ A1)	Z318.58R
Varistor 24VAC	Z318.54
Varistor 230VAC	Z318.55



Module Z318.5x



Clip Z438