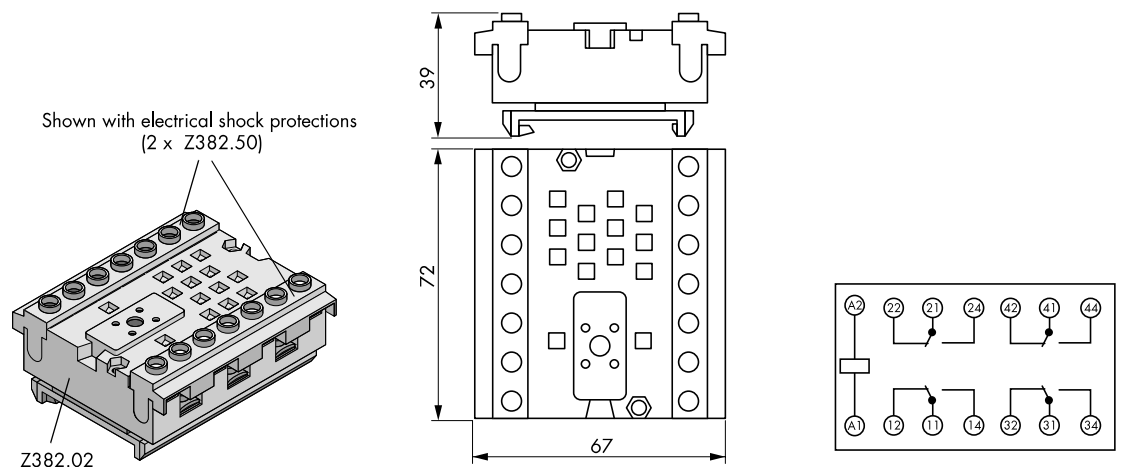
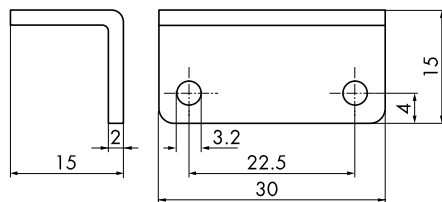


## Socket Z382.02



Socket	Z382.02
Socket design	
Terminal capacity solid conductor flexible conductor with ferrule	2 x 2.5 mm <sup>2</sup> 2 x 1.5 mm <sup>2</sup>
Terminal designation	in accordance with EN50005
Mounting	Rail EN50022-35 x 7.5/15
Screw terminals	Head screws metric M4
Torque in accordance with DIN EN 60999	1.2 Nm
Nominal current	6 A
Insulation group VDE 0110b/2.79	C250
Electrical shock protection	Electrical shock protection optional 2 x Z382.50
Weight	105 g
Retaining spring	Z482

## Mounting Bracket Z582



	Z582
Mounting	with screw M3 to relay
Weight	approx. 11 g