

## Features

- 5A switching capacity
- 7mm width relay
- High sensitivity coil: 200mW
- UL insulation system: Class F
- Accordance with IEC 60335-1 Ed.5
- Extremely small footprint utilizing PCB area
- Outline dimensions 20.3 x 7 x 14.7 (in mm)
- Comply with RoHS-Directive 2011/65/EU



## Ordering Information

**WR10**      **100**      **E**      **24**      **S**      **P**      **L**      **XXXX**  
**1**      **2**      **3**      **4**      **5**      **6**      **7**      **8**

- |                      |  |                      |   |
|----------------------|--|----------------------|---|
| 1. Type:             | WR10   | 6. Material version: | Nil = Standard<br>P = PTI ≥ 175                             |
| 2. Configuration:    | 100 = 1NO  | 7. Contact rating:   | Nil = 5A<br>L = 3A  |
| 3. Contact material: | E = Ag alloy (Cd free)                           | 8. Special:          | XXXX = Letters and / or numbers for special customer design |
| 4. Coil code:        | 5 = 5VDC<br>9 = 9VDC<br>12 = 12VDC<br>24 = 24VDC |                      |   |
| 5. Protection:       | Nil = Flux tight<br>S = Sealed washable          |                      |   |

## Contact Data

Type of contact	Single contact
Configuration	1NO
Contact rating	5A / 250VAC
Max. switching power	1250VA
Max. switching voltage	250VAC
Contact resistance	≤100 mΩ
Contact material	Ag alloy (Cd free)

## Coil rating standard version (@+23°C)

Rated coil voltage	Coil resistance	Pull-in voltage	Drop-out voltage	Coil power
$U_N$ [VDC]	$R$ [Ω] ±10%	$U_{pull-in}$ [VDC]	$U_{drop-out}$ [VDC]	$P_{coil}$ [W]
5	125	75% or less of Nominal voltage (Initial)	5% or more of Nominal voltage (Initial)	Approx. 0.2
9	405			
12	720			
24	2880			

## Specification

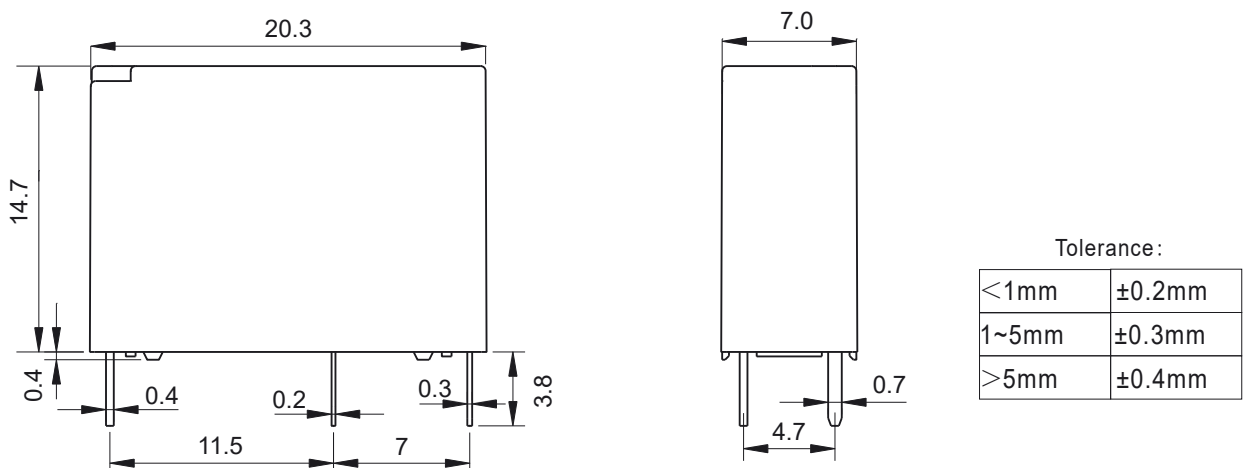
Mechanical life (frequency 18000 Oper./h)	10 <sup>6</sup> Oper.
Electrical life	10 <sup>5</sup> Oper.
Max. Switching rate at rated load	360 Oper. / h
Operating / Release time	≤20ms / ≤10ms
Dielectric strength contact / coil	4000VAC <sub>rms</sub>
Dielectric strength open contacts	750VAC <sub>rms</sub>
Ambient temperature (no freezing)	-40°C ~ +85°C
Vibration resistance	10~55Hz; double amplitude 1.5mm
Shockresistance 11ms	10G
Dimension	20.3 x 7 x 14.7 mm
Weight	Approx. 4g

## Safety approval ratings

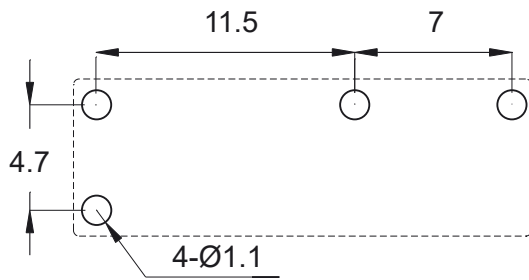
VDE	5A, 250VAC, 85°C
	3A, 250VAC, 85°C
UL	5A, 250VAC, 85°C
	3A, 250VAC, 85°C
	1/8HP, 240VAC, 85°C
CQC	5A, 250VAC, 85°C
	3A, 250VAC, 85°C

**Notes:** The data shown above are initial values.

## Outline Dimensions (in mm)



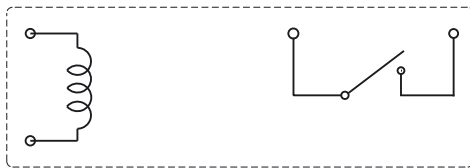
PC board layout (Bottom view)



Tolerance:

Pitch-row	±0.1mm
Aperture	±0.1mm

Wiring Diagramm (Bottom view)



**Disclaimer**

All technical performance data apply to the relay as such, specific conditions of the individual application are not considered. Please always check the suitability of the relay for your intended purpose. We do not assume any responsibility or liability for not complying herewith. We recommend to complete our questionnaire and to request our technical service. Any responsibility for the application of the product remains with the customer only. All specifications are subject to change without notification. All rights of Stangl Components Europe GmbH are reserved.